



**WX100 Series**  
Installation-grade  
Wireless Microphone System

featuring the  
**WX160**  
A/V Desk stand  
transmitter







## **WX100 Series** **Installation-grade** **Wireless Microphone System**

<b>WX100 Receiver</b> .....	<b>page 4</b>
<b>WX160 Desk stand</b> .....	<b>page 4</b>
<b>301 Lavalier microphone</b> .....	<b>page 5</b>
<b>302 Headworn microphone</b> .....	<b>page 5</b>
<b>WX150 Handheld microphone</b> .....	<b>page 6</b>
<b>WX155 Body pack transmitter</b> .....	<b>page 6</b>
<b>DA100 Distribution Amplifier</b> .....	<b>pages 7-8</b>
<b>Accessories</b> .....	<b>pages 9-10</b>



# WX160 Desk stand

The WX160 is a desk stand transmitter designed for use in pro audio A/V applications. The WX160 accommodates various length goosenecks and is optimized for use with the CAD 915B and CAD 920B. Designed with intuitive and flexible programmability the WX160 fulfills requirements for easy operation and custom applications. The WX160 has two user defined mute options. Power up "on" or Power up "off" and is complimented with easy to use latching or momentary switches. The WX160 is designed to accommodate alkaline or rechargeable batteries.



## Specifications WX160 Desk stand with 915B/920B gooseneck mics

<b>Operating Principle (915B/920B)</b> .....	Condenser
<b>Polar Pattern (915B/920B)</b> .....	Cardioid
<b>Frequency Response</b> .....	150Hz - 15KHz
<b>Maximum SPL</b> .....	118dB
<b>RF Transmitter Output</b> .....	50 mW maximum
<b>Modulation</b> .....	FM, +/- 40KHz peak
<b>Dimensions</b> .....	1-15/16" [50mm] x 22-3/16" [111mm] x 5-13/16" [148mm]
<b>Net weight [mass]</b> .....	1lb 6.8oz [0.65Kg] (without batteries)
<b>Power Requirements</b> .....	2 "AA" size alkaline or rechargeable batteries
<b>Battery Life</b> .....	>10 hours (alkaline)



## WX155 Body-pack



The WX155 is a body-pack transmitter designed for use in pro audio A/V applications. The WX155 features an uncomplicated on/off switch with Smart Audio Technology ensuring silent on/off operation. The WX155 is designed to accommodate alkaline or rechargeable batteries.

### Specifications WX155 Body-pack

<b>Frequency Response</b> .....	25Hz - 15KHz
<b>Maximum input level</b> .....	Microphone input: -6dBV Instrument input: +6dBV
<b>RF Transmitter Output</b> .....	50 mW maximum
<b>Modulation</b> .....	FM, +/- 40KHz peak
<b>Dimensions</b> .....	3-15/16" [10cm] x 2-5/8" [6.6cm] x 1" [2.5cm]
<b>Net weight [mass]</b> .....	3.4oz [0.1Kg] (without batteries)
<b>Power Requirements</b> .....	2 "AA" size alkaline or rechargeable batteries
<b>Battery Life</b> .....	>10 hours (alkaline)

## WX150 Handheld



The WX150 is a cardioid dynamic handheld microphone designed for use in pro audio A/V applications. The WX150 features an uncomplicated on/off switch with Smart Audio Technology ensuring silent on/off operation. The WX150 is designed to accommodate alkaline or rechargeable batteries.

### Specifications WX150 Handheld

<b>Operating Principle</b> .....	Moving coil dynamic
<b>Polar Pattern</b> .....	Cardioid
<b>Frequency Response</b> .....	80Hz - 15KHz
<b>Maximum SPL</b> .....	146dB (sensitivity level "1")
<b>Dynamic Range</b> .....	115dBA
<b>RF Transmitter Output</b> .....	50 mW maximum
<b>Modulation</b> .....	FM, +/- 40KHz peak
<b>Dimensions</b> .....	9-5/8" [24.5cm] x 2-1/16" [5.2cm]
<b>Net weight [mass]</b> .....	8.3oz [0.24Kg] (without batteries)
<b>Power Requirements</b> .....	2 "AA" size alkaline or rechargeable batteries
<b>Battery Life</b> .....	>10 hours (alkaline)

# DA100 Distribution Amplifier

The DA100 is an antenna distribution amplifier for the CAD Audio WX100 wireless receiver. The DA100 is designed for use in pro audio applications such as audio-video integration and musical/theatrical performance.

The DA100 features a net 0dB amplification eliminating split-attenuation when used in conjunction with the WX100 receiver. Minimal amplification is applied to reduce the risk of unwanted intermodulation interference.

The onboard power distribution system conveniently distributes 12V power for up to four of the WX100 receivers. The power switch on the DA100 also controls the WX100 receiver power when connected to the power distribution hub.

All antenna connectors are BNC-type for easy plug and play compatibility.

Antennas are not supplied with the DA100. Whip antennas supplied with the WX100 may be used and can be front mounted utilizing the ANT105 mounting kit. Additional high-performance antenna options are available from CAD Audio.

The DA100 comes complete with RF patch cables for four receivers, rack ears and the appropriate power cables for patching and connecting an AC power source.



## Specifications DA100 Distribution Amplifier

Frequency Range .....	UHF 600 - 900MHz
Impedance .....	50Ω
Gain .....	0dB +/- 3dB
AC Power .....	100 - 240V, 60Hz
DC Output .....	DC 12 - 15V, 3.6A
Dimensions .....	16-1/2" [41.9cm] x 7-13/16" [19.8cm] x 1-3/4" [4.45cm]
Net weight [mass] .....	3lbs 7oz [1.56kg]



ANT105



ANT105



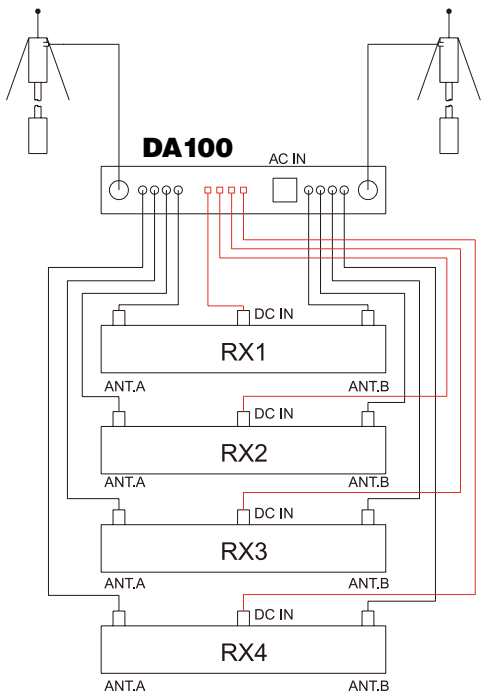
RF Connections



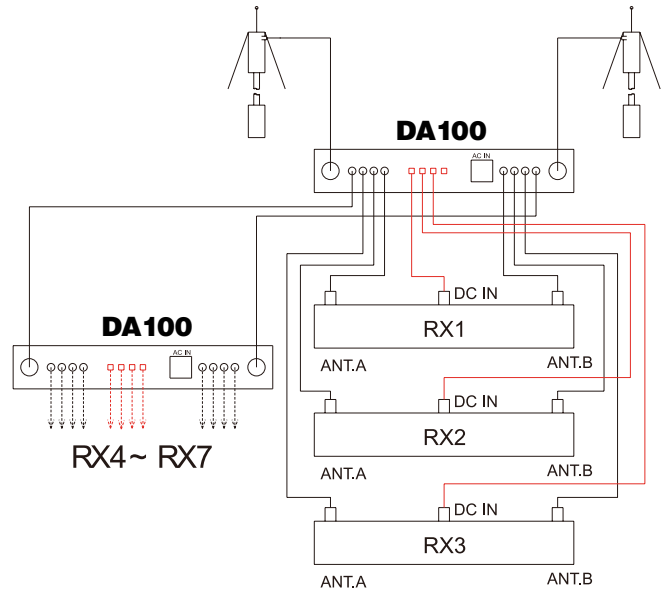
DC power distribution



• Connection for up to 4 receivers.



• Connection for up to 7 receivers.



# Accessories

**ANT100 Whip  
dipole Antenna**



## Specifications ANT100

Type	Dipole
Frequency Range	520 - 700MHz
Polarization	Vertical, when oriented vertically
Gain	2dBi
Impedance	50Ω
V.S.W.R.	< 2.0:1.0
Termination Type	BNC
Number of Elements	1
Dimensions	12" [30.5cm] x 1/2" [1.3cm]
Weight [mass]	1.4oz [40g]

**ANT110 Ground-plane  
dipole Antenna**



## Specifications ANT110

Type	Dipole
Frequency Range	600 - 960MHz
Polarization	Vertical, when oriented vertically
Gain	3dBi
Impedance	50Ω
V.S.W.R.	< 1.6:1.0
Termination Type	BNC
Number of Elements	4
Dimensions	19-1/2" [50cm] x 3-3/4" [9.5cm]
Weight [mass]	1lb 13oz [0.82kg]
Mounting Connector	5/8"- 27 threaded stand connector

**ANT120  
Paddle Antenna**



## Specifications ANT120

Type	Log-periodic dipole array
Frequency Range	520 - 860MHz
Polarization	Vertical, when oriented vertically
Gain	7dBi
Impedance	50Ω
V.S.W.R.	< 1.7:1.0
Termination Type	BNC
Number of Elements	9
Dimensions	11-5/16" [29cm] x 10-5/16" [26cm]
Weight [mass]	6.3oz [0.18kg]
Mounting Connector	5/8"- 27 threaded stand connector



