



GXL2200

Large Diaphragm Cardioid Condenser Microphone

Applications:

Studio Recording
Live Sound



Description

Offering exceptional versatility, the GXL2200 is a large diaphragm condenser microphone. The GXL2200's capsule features a sophisticated 1" gold-vapor deposited diaphragm. Exceptional sensitivity and low distortion make it an outstanding performer in a variety of live and recording applications. Shock mount, vinyl pouch and polishing cloth included.



CAD Audio
6573 Cochran Rd., Bldg. I Solon, OH 44139 U.S.A.
Tel: (440) 349-4900 Fax: (440) 248-4904
Sales: 800-762-9266 www.cadaudio.com

GXL2200

Large Diaphragm Cardioid Condenser Microphone

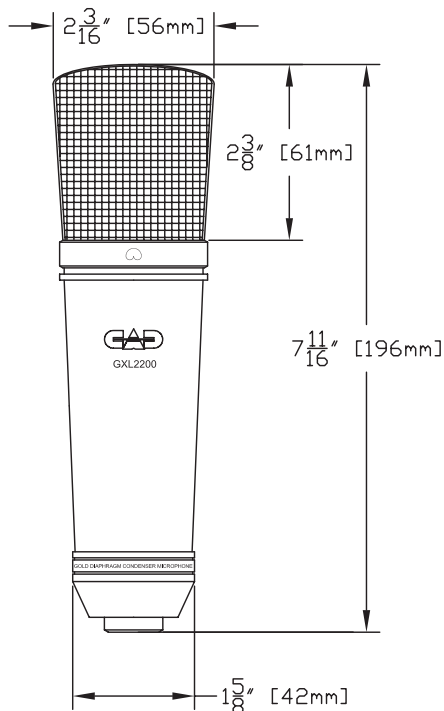
Specifications†

Operating Principle	Externally-Biased Condenser
Polar Pattern	Cardioid
Frequency Response	30Hz -20KHz
Sensitivity	-36dBV (16mV) @ 1 Pa
Impedance	75 ohms
Max SPL	130dB
Self Noise	20dBA
Dimensions	(see drawing)
High-Pass	100Hz, 6dB/oct
Power Requirements	P48, 3mA
Weight	2lbs (0.91 Kg)
RoHS	Compliant

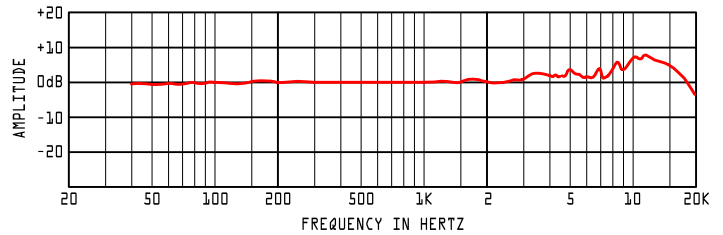
†Specifications subject to change without notice.

Dimensional Drawing

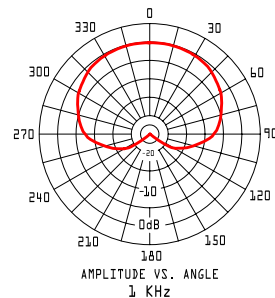
(not shown actual size)



Frequency Response



Polar Pattern



Two-Year Limited Warranty

CAD Audio hereby warrants that this product will be free of defects in material and workmanship for a period of two years from the date of purchase. In the unlikely event that a defect occurs, CAD will, at its option, either repair or replace with a new unit of equal or greater value. In the event that a suitable replacement is unavailable, CAD Audio may elect to reimburse owner for the cost of local repairs or issue a refund in the amount of the original purchase price. Items must be purchased from an authorized CAD Audio dealer, and the warranty is not transferable from the original owner. Please retain proof of purchase to validate the purchase date and include it with any warranty claim.

This warranty excludes exterior finish or appearance, damage from abuse, misuse of the product, use contrary to CAD's instructions or unauthorized repair. All implied warranties, merchantability, or fitness for a particular purpose is hereby disclaimed and CAD hereby disclaims liability for incidental, special or consequential damages resulting from the use or unavailability of this product.

This warranty gives you specific legal rights and you may have other rights that vary from state to state. Some states do not allow the exclusion or limitation of incidental or consequential damages or limitations on how long an implied warranty lasts, so the above exclusions and limitations may not apply to you.

Note: No other warranty, written or oral is authorized by CAD Audio.

To initiate a warranty claim, please contact American Music and Sound at 1-800-431-2609 to obtain a return authorization number and shipping instructions.

- A return authorization is required for all returns. RETURNS WITHOUT A PRE-APPROVED RETURN AUTHORIZATION NUMBER WILL BE REFUSED.
- Please use at least 3 inches of padding surrounding the product for protection during shipment
- Retain your tracking number until your warranty claim has been resolved
- We recommend using an insured shipping method in case of loss or damage during shipment

If outside the United States, contact your local dealer or distributor for warranty details.



CAD Audio
 6573 Cochran Rd., Bldg. I Solon, OH 44139 U.S.A.
 Tel: (440) 349-4900 Fax: (440) 248-4904
 Sales: 800-762-9266 www.cadaudio.com

