

STUDIO

GXL1200BP

Cardioid Condenser Microphone
Black Pearl Chrome Finish

Applications:

Studio Recording
Live Sound



Description

Packaged in a small, rugged, all-metal body, finished in lustrous black pearl chrome, the compact and durable GXL1200BP condenser microphone is known for its open, transparent sound. Its transformerless design reduces distortion and optimizes low-end response. A uniform cardioid pattern controls feedback. The GXL1200BP's small size, accuracy, and high SPL capability make it ideal for overhead miking, high hats, cymbals, and stringed instruments. Mic clip, vinyl pouch and polishing cloth included.



CAD Audio
6573 Cochran Rd., Bldg. I Solon, OH 44139 U.S.A.
www.cadaudio.com

GXL1200BP

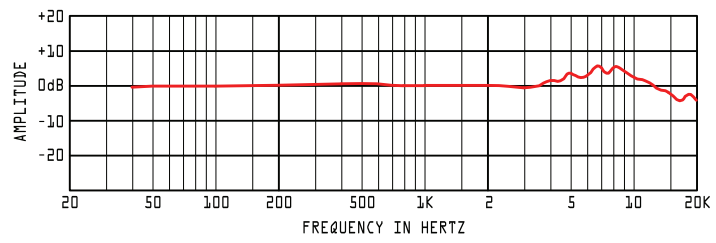
Cardioid Condenser Microphone Black Pearl Chrome Finish

Specifications†

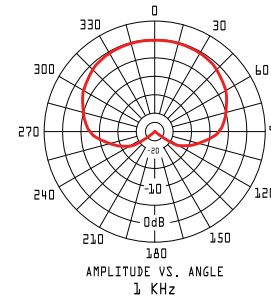
Operating Principle..... Externally-Biased Condenser
Polar Pattern..... Cardioid
Frequency Response..... 30Hz -20KHz
Sensitivity -36dBV (16mV) @ 1 Pa
Impedance..... 100 ohms
Max SPL..... 135dB
Self Noise..... 17dBA
Dimensions(see drawing)
Power Requirements..... P48, 4mA
Weight 4.4oz [0.13Kg]
RoHS..... Compliant

†Specifications subject to change without notice.

Frequency Response

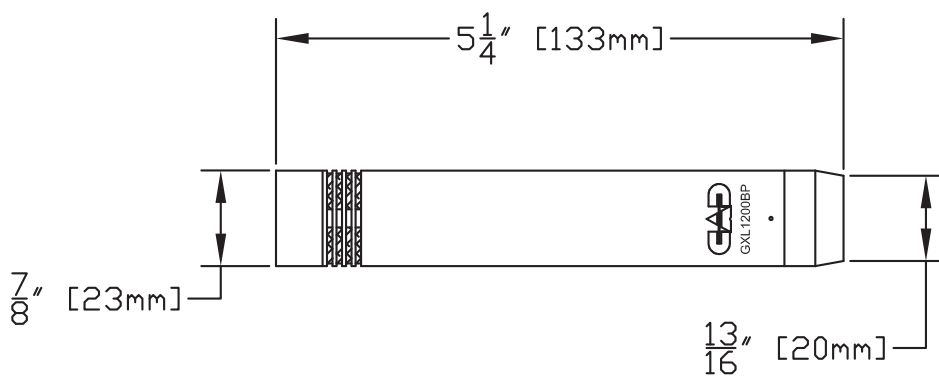


Polar Pattern



Dimensional Drawing

[not shown actual size]



CAD Audio
 6573 Cochran Rd., Bldg.I Solon, OH 44139 U.S.A.
www.cadaudio.com

