

PERCUSSION

D12 **Cardioid Dynamic Kick Drum Microphone**



Applications:

Kick drum
Floor toms
Guitar cabinets
Bass cabinets
Acoustic bass

Description

The D12 is a large-diaphragm, cardioid, moving-coil dynamic microphone specifically designed and carefully equalized for kick drum capture and reinforcement. Special attention has been given to enhancing "thump", "crack", and "click" while reducing "boxiness". Neodymium magnetics allow reduced coil mass for transient agility and impedance reduction. Although designed for kick drum, excellent results are also obtained when used on floor toms, electric guitar and electric bass cabinets.

The die-cast metal body and hardened protective steel screen provide rugged durability. Integrated swivel mount is included.



CAD Audio
6573 Cochran Rd., Bldg.I Solon, OH 44139 U.S.A.

D12

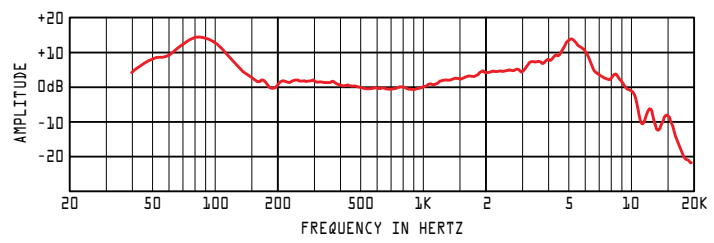
Cardioid Dynamic Kick Drum Microphone

Specifications[†]

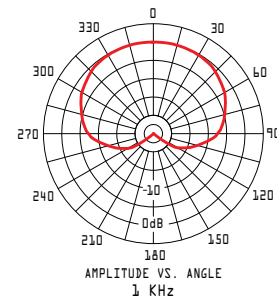
Operating Principle	Moving-coil dynamic
Polar Pattern	Cardioid
Frequency Response	30Hz -12KHz
Sensitivity	-66dBV (0.5mV) @ 1 Pa
Impedance	60 ohms
Dimensions	(see drawing)
Weight	1lb 4oz [0.56Kg]
RF Immunity	Meets or exceeds EN55103-2, E1-E4
RoHS	Compliant

[†]Specifications subject to change without notice.

Frequency Response

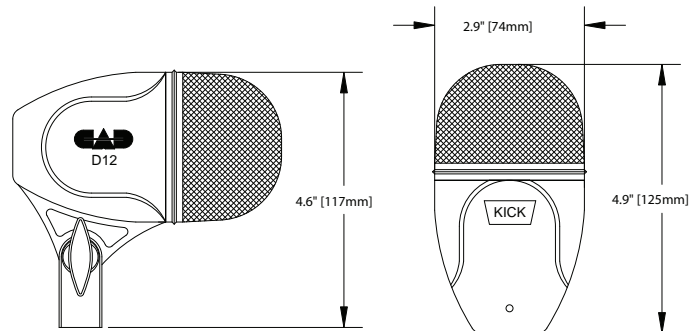


Polar Pattern



Dimensional Drawing

[not shown actual size]



CAD Audio
6573 Cochran Rd., Bldg. I Solon, OH 44139 U.S.A.

