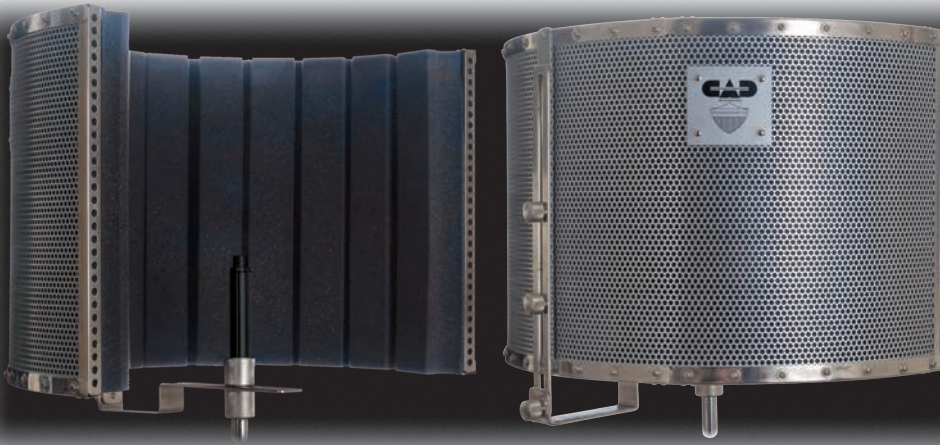




# Acousti-shield 32

## Stand Mounted Acoustic Enclosure



STUDIO

### Features:

- > The Acousti-shield 32 is constructed from a high quality 16 gauge perforated stainless steel shield mated to a dual stage 53mm high density micro cell acoustic foam and high quality absorptive wool layer resulting in a dry recording environment.
- > The Acousti-shield 32 reduces reflections, echo and attenuates unwanted environmental acoustic interference.
- > An innovative advanced mounting design allows for maximum positioning stability even when mated to an economy mic stand.
- > Innovative 6 way adjustable microphone stand-off accommodates a variety of microphone designs and allows for creative control and a tailored acoustic result.
- > The portable design allows for easy studio placement and simplifies remote recording.

### Description

The Acousti-shield 32 was developed as an accessory for the home recording professional. When effectively utilized, it can substantially reduce unwanted reflections, echo flutter and unwanted environmental acoustic interference. A trouble-free design results in an easy to use, highly flexible device, while not sacrificing stand mounted stability. The Acousti-shield 32 is constructed from high quality stainless steel and high density micro cell acoustic foam with an additional absorptive wool layer. The Acousti-shield 32 is supplied with mounting hardware to adapt to most microphones for easy, flexible placement. The Acousti-shield 32 is an essential tool for enhanced performance and a vital accessory for the professional musician.

### Applications:

Studio Recording  
Field Recording



CAD Audio  
6573 Cochran Rd., Bldg. I Solon, OH 44139 U.S.A.

© 2017 CAD Audio Part No. 47710-03-01





# Acousti-shield 32

## Stand Mounted Acoustic Enclosure

### Specifications (Specifications subject to change without notice.)

Size ..... 20" x 12.5" x 11"

Weight ..... 7.0lbs [3.2Kg]

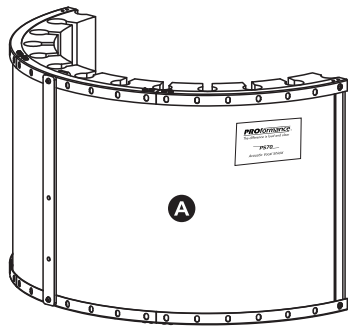
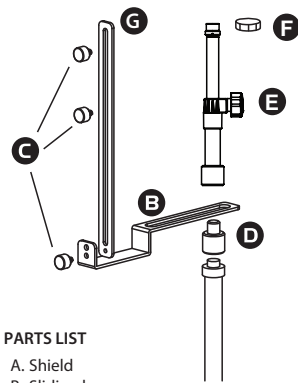


FIG.1



**PARTS LIST**

- A. Shield
- B. Sliding beam
- C. Locking screws
- D. Shock mount Adapter
- E. Extending mic mount
- F. Locking ring
- G. Vertical mount

**Assembly:** (See fig.1)

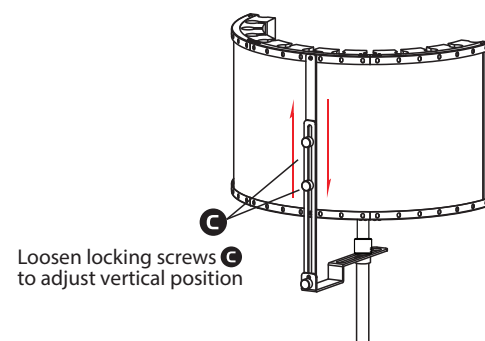
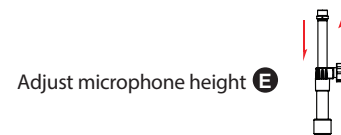
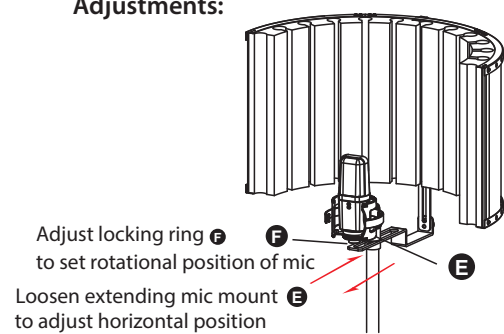
Fasten vertical mount **G** to shield **A** and sliding beam. **B** using locking screws **C**

Attach shock mount adapter **D** to the mic stand.

Attach sliding beam **B** to the mic stand using the extending mic mount. **E**

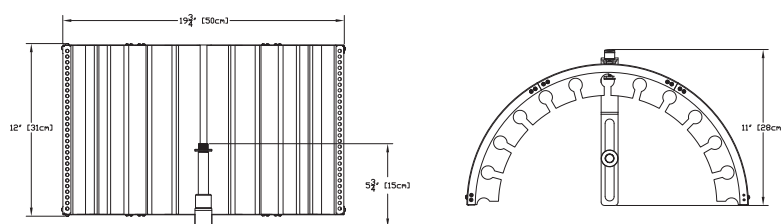
Attach locking ring **F** to the extender **E**

**Adjustments:**



**Dimensional Drawing**

[not shown actual size]



**CAD Audio**  
6573 Cochran Rd., Bldg.I Solon, OH 44139 U.S.A.  
www.cadaudio.com

©2017 CAD Audio Part No. 47710-03-01

