



Commercial Audio Products

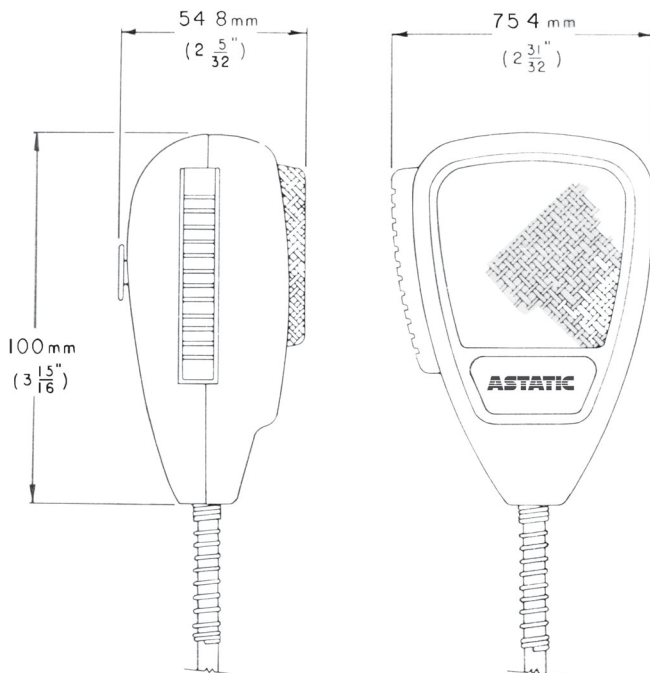
611L

OMNIDIRECTIONAL
DYNAMIC MICROPHONE

Description

The Astatic Model 611L is an omnidirectional, dynamic microphone designed for hand held applications in quality sound installations. The frequency response, especially tailored for voice communications, provides a crisp, clear, highly intelligible sound. The Model 611L, with modern "tear drop" styling, offers extreme reliability, convenient handling, rugged construction and high performance for years of dependable service.

The dynamic cartridge has a rugged polyester diaphragm which resists moisture, temperature extremes, most acids, alkalis and solvents. Molded in high impact Cynolac, the Model 611L comes with a permanently attached, heavy duty, four conductor, two shielded, coil cord. The 611L has a simple to operate 2PDT long life, trouble free switch. The Model 611L has a low impedance output and is factory wired normally open. The Model 611L may be rewired in the field if a line shorting function is desired.



APPLICATIONS

The Astatic Model 611L, because of its' professional sound and rugged construction, is an excellent choice for any application requiring a hand held, microphone for public address in industrial and general applications, such as factories, airports, lobbies, restaurants, warehouses, etc. and for two-way communications in taxicabs, buses, construction, police and fire vehicles, etc.

SPECIFICATIONS FOR 611L



Specifications

Element:

Dynamic

Pattern:

Omnidirectional

Frequency Response:

100 to 7500 Hz

Output Level:

-58 dB (0 dB = 1mw / 10 microbars)

-76 dB (0 dB = 1 volt / microbar)

1.6 mV/PA

Impedance:

400 ohms, matches 150 to 1000 ohms

Cable:

Four conductor, two shielded, permanently attached, heavy duty, neoprene jacketed coil cord that extends to 1.8m (6 ft.)

Switch:

Operated by press-to-talk lever, 2PDT long life, trouble free switch with spring return, has smooth feel. Wired normally open

Housing:

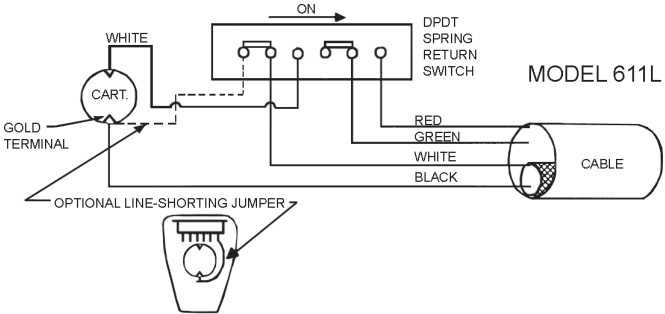
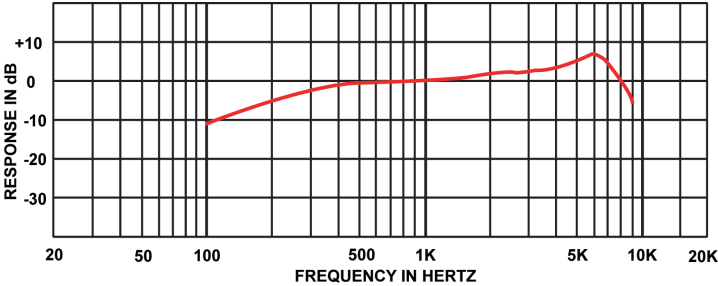
Durable molded black Cycolac

Dimensions:

100mm (3-15/16") high x 75.4mm (2-3/32) wide x 54.8mm (2-5/32") deep

Weight:

227 grams (8 oz.)



40-315 mic clip

