

210

Premium Omnidirectional Button Style Microphone with Adjustable Line-Level

Description

The Astatic 210 is a miniature-boundary microphone designed for installation in security, ambient monitoring and observation applications. The output level is variable from -50dBv (3.2mV) to -10.5dBV (300mV) @ 1 μ Bar which is designed to interface with security cameras, digital video recorders and other observation and recording devices.

Astatic's internal audio limiter circuitry tames high sound pressure levels and improves intelligibility by protecting the audio signal from distorting sensitive recording circuitry in cameras and digital recorders. The integrated volume control is located on the side of the microphone and is protected from tampering when the microphone is installed. The integrated 150Hz, 6dB/oct high-pass filter attenuates unwanted low frequency energy.

8 to 18 VDC (70mA) is required to power the microphone (not supplied). The connection is made through a removable 3.5mm terminal block plug connector on the opposite end of the microphone. The connector accepts DC power and outputs an unbalanced, amplified signal.

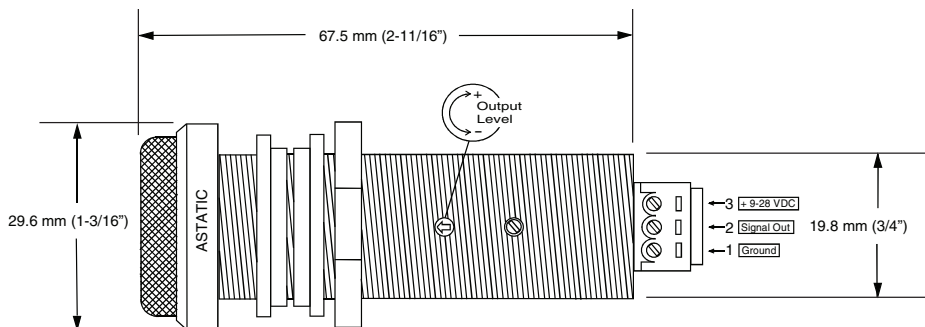
The Astatic 210 housing is all-metal, designed for commercial applications. The threaded housing makes for easy installation into ceilings, walls, tables and other surfaces. Rubber isolation bushings and metal nut/washer hardware are also provided.

Features

- Adjustable Line-level output
- Omnidirectional pick-up pattern
- Integrated high-pass filter for improved intelligibility and voice articulation
- Integrated limiter maintains near/far signal integrity
- All-metal housing suitable for commercial applications
- Mounting hardware included
- RF (radio frequency) Resistant Architecture
- Shock-absorbing polymer bushings included
- Inconspicuous design



Dimensional Drawing



210

Premium Omnidirectional Button Style Microphone with Adjustable Line-Level

Specifications†

Operating Principle	Condenser
Polar Pattern	Omnidirectional
Frequency Response	120Hz -18KHz
Sensitivity	Adjustable, -50dBV (3.2mV) to -10.5dBV (300mV) @ 1 µBar
Impedance	50 ohms
Maximum SPL	100dB
Self Noise	22dBA
Power Requirements8 to 18VDC, 70mA
Connector	3.5 mm terminal block plug with 180 degree wire-to-plug orientation, accepting 30 to 14AWG size wire.
Polarity	Positive pressure on diaphragm corresponds to positive voltage on pin 2.
Finish	Durable matte-white urethane
Dimensions	(See drawing)
Net Weight [Mass]	2.4oz [.07Kg]
Packaged Weight [Mass]	5.4oz [.15Kg]
RF Immunity	Meets or exceeds EN55103-2, E1, E2, E3 and E4

RoHS Compliant

†Specifications subject to change without notice.

Included Accessories2 rubber bushings,
hex nut and washer.

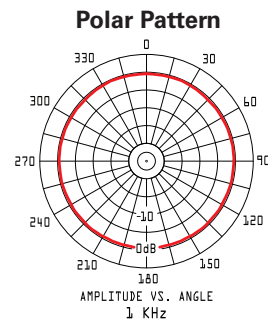
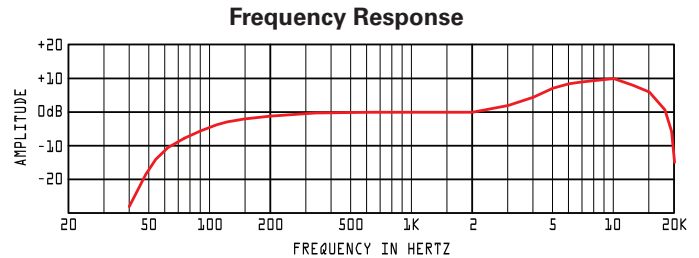
Architects' and Engineers' Specifications

The microphone will be an inconspicuous, omnidirectional, button-style, condenser boundary microphone designed for surface installation. The integrated limiter will maintain near/far signal integrity. The sensitivity of the microphone will be -50dBV (3.2mV) to -10.5dBV (300mV) @ 1 µBar. The frequency response will be 120Hz to 18KHz. The impedance of the microphone will be 50 ohms. The self noise will be 22dBA. The maximum SPL will be 100dB.

The microphone will include an integral 150Hz, 6dB/oct high-pass filter to improve intelligibility. The microphone will have a removable 3.5mm terminal block plug with 180 degree wire-to-plug orientation, accepting 30 to 14AWG size wire.

The microphone will be externally powered with an 8 to 18VDC 70mA source (not supplied). The microphone element and electronics will be enclosed in a radio frequency resistant housing meeting or exceeding EN55103-2. The microphone will be 3-3/8" [85mm] long, 1-1/8" [28mm] in diameter and stand 3/4" [20mm] above boundary. The net weight [mass] will be 2.4oz [.07Kg]. The packaged weight [mass] will be 5.4oz [0.15Kg]. The microphone will have durable matte-white urethane finish.

The Astatic model 210 is specified.



Two-Year Limited Warranty

CAD Audio hereby warrants that this product will be free of defects in material and workmanship for a period of two years from the date of purchase. In the unlikely event that a defect occurs CAD Audio will, at its option, either repair or replace with a new unit of equal or greater value. Retain proof of purchase to validate the purchase date and return it with any warranty claim.

This warranty excludes exterior finish or appearance, damage from abuse, misuse of the product, use contrary to CAD Audio's instructions or unauthorized repair. All implied warranties, merchantability, or fitness for a particular purpose is hereby disclaimed and CAD Audio hereby disclaims liability for incidental, special or consequential damages resulting from the use or unavailability of this product.

This warranty gives you specific legal rights and you may have other rights that vary from state to state. Some states do not allow the exclusion or limitation of incidental or consequential damages or limitations on how long an implied warranty lasts, so the above exclusions and limitations may not apply to you.

Note: No other warranty, written or oral is authorized by CAD Audio.

Shipping Instructions

Please call our customer service department at 440-349-4900 for a pre-approved return authorization number.

Carefully repack the unit and return the insured package to: CAD Audio, 6573 Cochran Road, Building I, Solon, Ohio 44139.

RETURNS WITHOUT A PRE-APPROVED RETURN AUTHORIZATION NUMBER WILL BE REFUSED.

If outside the United States, contact your local dealer or distributor for warranty details.



©2010 CAD Audio
Part No. 46873-95-01 Jan2010



ASTATIC COMMERCIAL

CAD Audio
6573 Cochran Rd. Building I
Solon, Ohio 44139 U.S.A.
Tel: (440) 349-4900 Fax: (440) 248-4902
Sales: (800) 762-9266
www.cadaudio.com